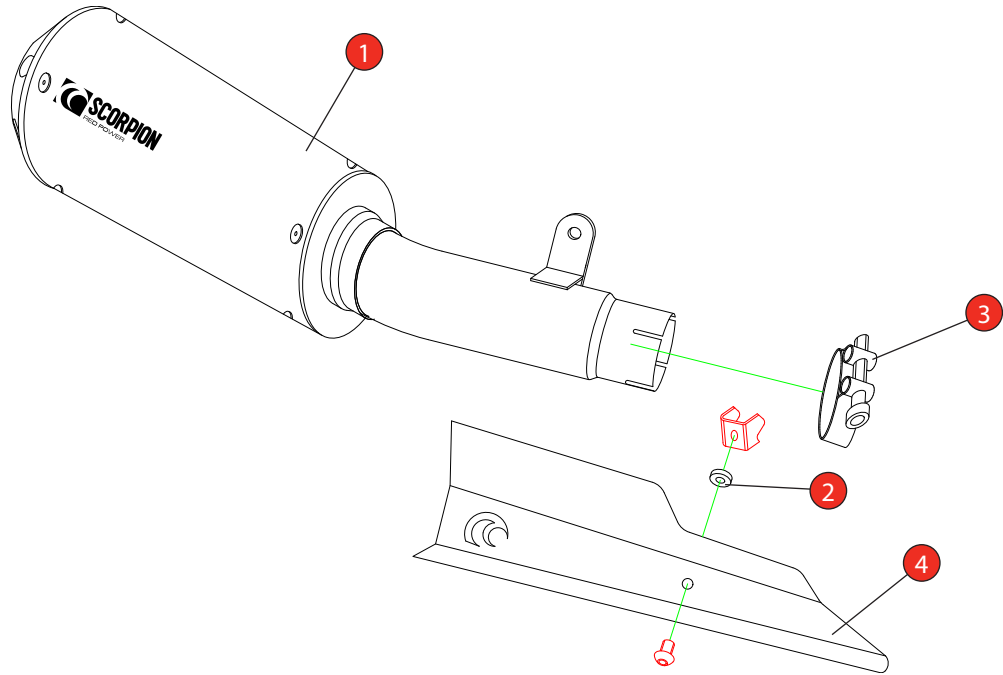


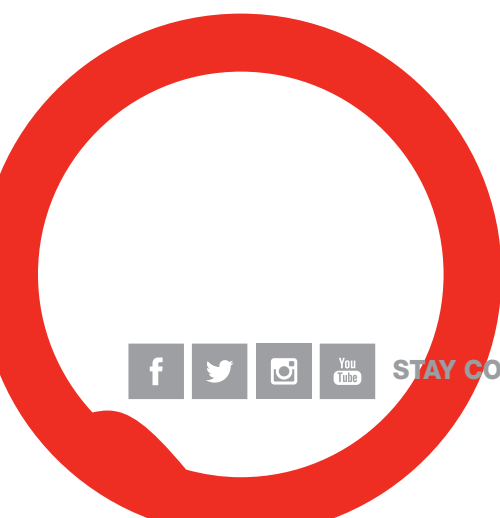
| | | | |
|--------------|--|------------------|------------|
| Bike | Suzuki GSX-S 1000 Katana | Part No. | PSI-125 |
| Year | 2019- on | Fit Kit | Z039.10660 |
| Notes | Where not supplied use original fittings | dB Killer | N/A |

Estimated Fitting Time: 60 Minutes



| NO. | PART NO. | DESCRIPTION | QTY |
|-----------------------------|------------|---|-----|
| 1 | PSC463 | Red Power Silencer With Intergrated Connecting Pipe | 1 |
| Fit Kit - Z039.10660 | | | |
| 2 | Z026.20049 | Ø20 x 5mm Alloy Spacer | 1 |
| 3 | Z016.10003 | Clamp 47 - 51mm | 1 |
| 4 | Z028.20395 | Heatshield, Black Powder Coat | 1 |

| | |
|------------|------------|
| E-MARK | e24 00111 |
| DATE | 23/09/2019 |
| ISSUE | 00 |
| AUTHORISED | D.Marshall |



STAY CONNECTED TO RED POWER.

| | | | |
|--------------|--|------------------|------------|
| Bike | Suzuki GSX-S 1000 Katana | Part No. | PSI-125 |
| Year | 2019- on | Fit Kit | Z039.10660 |
| Notes | Where not supplied use original fittings | dB Killer | N/A |

Estimated Fitting Time: 60 Minutes



A) Remove original exhaust from bike, taking care to keep all original components in a safe place.

B) Refit Scorpion exhaust as per line diagram above.

C) When fitted take bike for a short ride to ensure all functions are correct.

D) When bike & exhaust are cool enough check all nuts and bolts are still secure.

Thank you for purchasing your Scorpion Silencer.

Care of your exhaust: Please refrain from cleaning silencer with heavy solvents or abrasives!

Vielen Dank Für den kauf eines Scorpion Schalldampfers! Pflegehinweis: Bitte verwenden Sie niemals Scheuermittel oder aggressive Reiniger zur Pflege Ihres Auspuffes!

Merci d'avoir choisi un echappement Scorpion.

Entretien de votre silencieux: Ne pas utiliser de solvants ou de produits abrasifs!

Muchas gracias por adquirir un Silencioso Scorpion. Le recomendamos no limpiar el silencioso con productos abrasivos o aquellos que contengan disolventes.



STAY CONNECTED TO RED POWER.